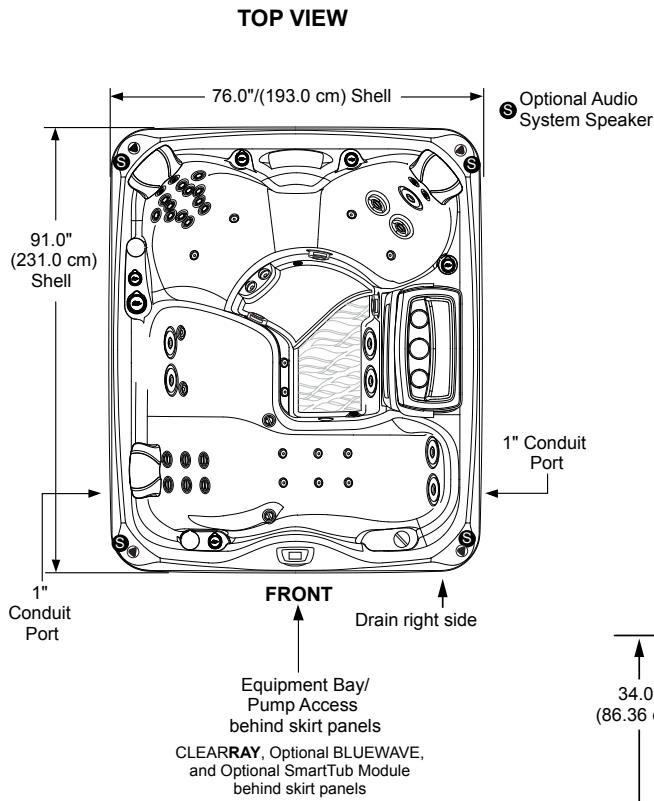
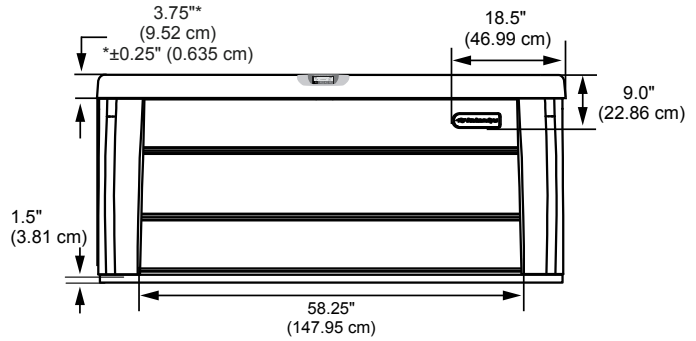


# Sundance Spas 880 Marin

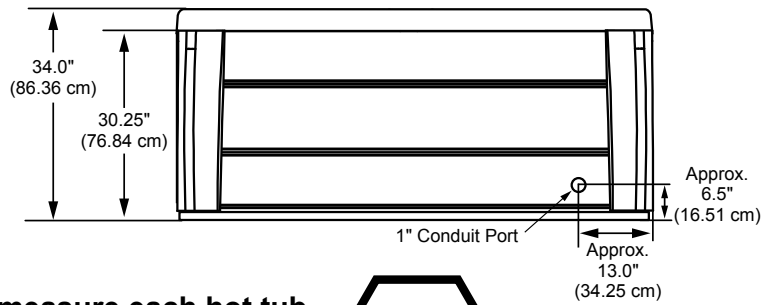
## Portable Dimensions



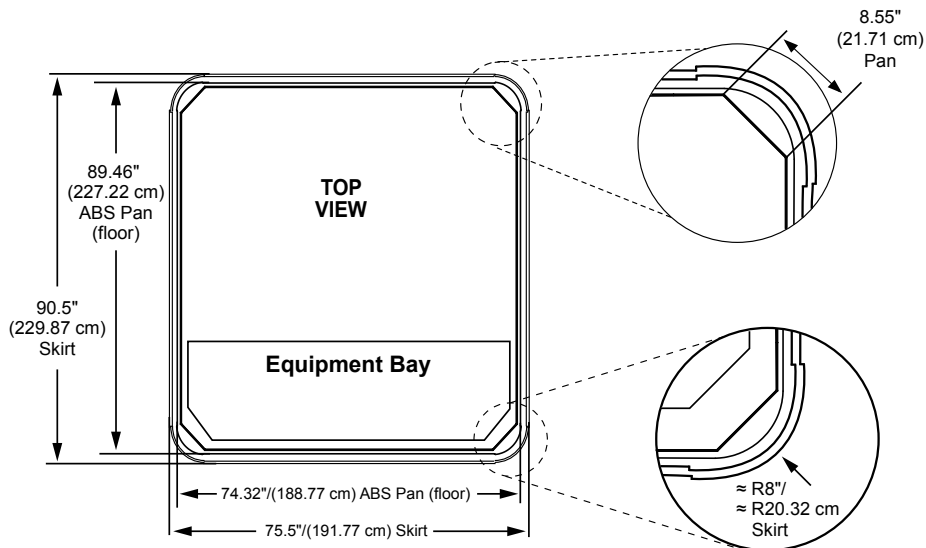
**FRONT/BACK VIEW**  
Tolerance:  $\pm 0.5"$  (1.27 cm)



**LEFT/RIGHT SIDE VIEW (Left Side View Shown)**  
Tolerance:  $\pm 0.5"$  (1.27 cm)



**IMPORTANT! Always measure each hot tub for exact dimensions BEFORE designing its foundational support and/or decking.**



Dimensions/specifications subject to change without notice. Tolerance:  $\pm 0.5"$  (1.27 cm)

Dimensions/Specifications Subject To Change Without Notice